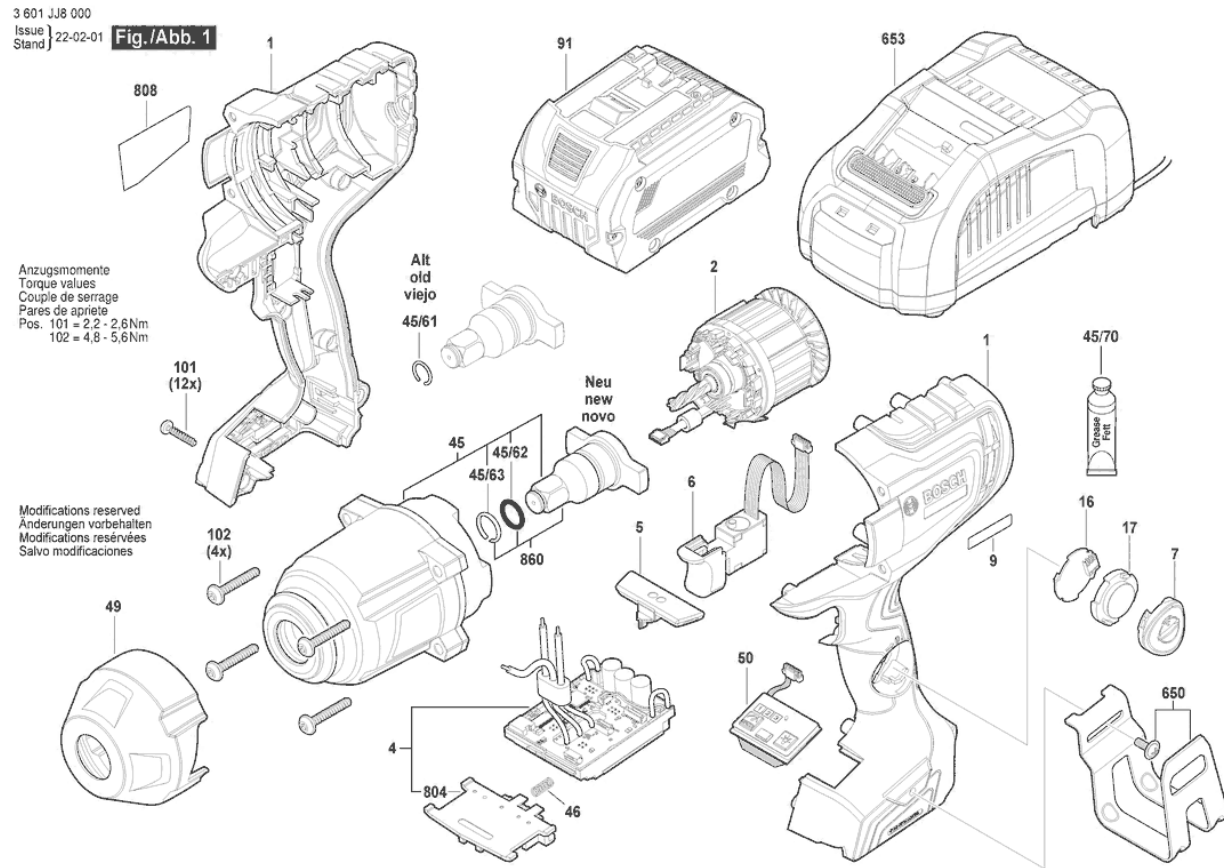


Illustration - Type - E



Spare parts list

Item	Part Number	Description	Illustration
1	1 605 806 5YH	Housing	1
2	1 607 022 69Z	DC motor	1
4	1 607 233 5LG	Electronic Module	1
5	1 600 A01 P3K	Changeover Lever	1
6	2 607 202 501	Switch	1
7	1 600 A01 TN9	Cover unit	1
9	1 601 11A 6ZH	Manufacturer's nameplate	1
16	1 600 A01 6CZ	Electronics Module	1
17	1 600 A02 KY7	Cover Panel	1
45	1 600 A01 RJ3	Gear Box	1
45/61	1 604 601 03M	Retaining ring	1
45/62	1 600 210 09U	O-Ring	1
45/63	1 604 601 03V	Retaining ring	1
45/70	1 600 A00 2NE	Grease Tube 45 ML	1
46	1 609 280 477	Compression Spring	1
49	1 600 A01 R1M	Cap	1
50	1 607 233 5LT	Electronic Module	1
91	1 607 A35 0AN	Battery Pack	1
101	2 603 490 023	Torx Oval-Head Screw 4X20	1
102	1 603 435 098	Torx Oval-Head Screw M5X40	1
650	1 600 A02 3G7	Hook	1
653	2 607 225 921	Charger EU GAL 1880 CV 230/14,4-18V	1
653	2 607 225 923	Charger	1
804	1 609 280 820	Contact retainer 18V	1
808	1 600 A02 2TU	Type Label	1
860	1 600 A02 801	Coupling Half	1